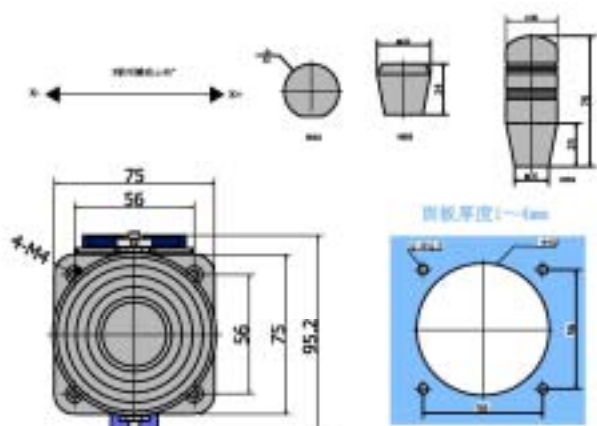
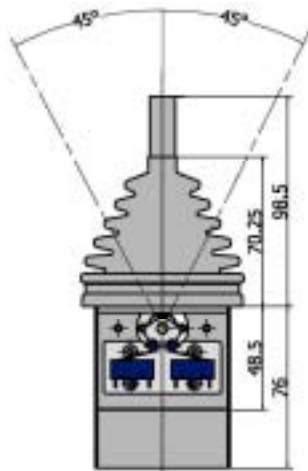


Industrial joystick J90-1X-5K-PS-M-010-HD4

- ◆ Applicable to industrial equipment control system
- ◆ Industrial joystick also be named handle, controller.
- ◆ Built-in long-life OMRON switch and quality is reliable.
- ◆ Within long-life conductive plastic potentiometer, the life is more than 5,000,000 times
- ◆ Single-Axis
- ◆ Electronic output mode: Integrated wire-board, center-tap potentiometer, direction-switch output.
- ◆ Mechanical output mode: Metal-structure, Integrated fast-install, Friction-position, Within center Zero-position handle. Standard handle



Electrical

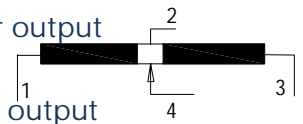
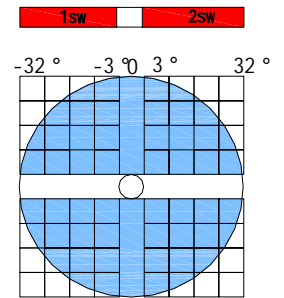
Input voltage	DC 24V
Output voltage	DC 0 to ±24V
Resistance	5K , 10K , 20K
Resistance error	± 20%, ±15%
Independent Linearity Tolerance	± 1 % , ±0.5%
Resolution	Infinity
Resist-temperature coefficient	± 400 ppm/°C
Output smooth	Max 0.5 %
X&Y Axis electrical-angle	±45° , ±32°
Wire length	at customer requirement
Insulation resistance	50 M @ 500 VDC ,60 sec.

Mechanical

Operation torque(X&Y Axis)	about 15N
Return error	0.06 K
Rotation life	5,000,000 times
Operation temperature	from -10°C to 80°C

Output

- 1.Integrated wire-output
- 2.Within Direction-switch and push-button output
3. Center-tap potentiometer output
- 4.Single-axis “ — ” position output
- 5.±3° star operation control



Circuit diagram

