



OM Series

Water-proof push-button switch



Product Overview

Water-proof push-button switch of OM series. Water-proof Rank gets IP67, self-lock and non-self-lock, outlook includes square shape and the circular, without lamp and LED lamp, the color can be according to the customers' requirement. Widely applies in cosmetology equipment, the small yacht, the lamp, medical equipment, arm correspondence, the intellectualization network equipment and other kinds of instruments.

Technical parameters

Technical Parameters

Button Rank: SPST-NO-DB

Operation Strength: 3N/360G

Mechanical Life: 200.000 times

Electrical Life: 100.000 times

Contact Rebound: 1MS

Environmental temperature: -25°C~+85°C

Installation Size: $\phi 12.2\text{mm}$

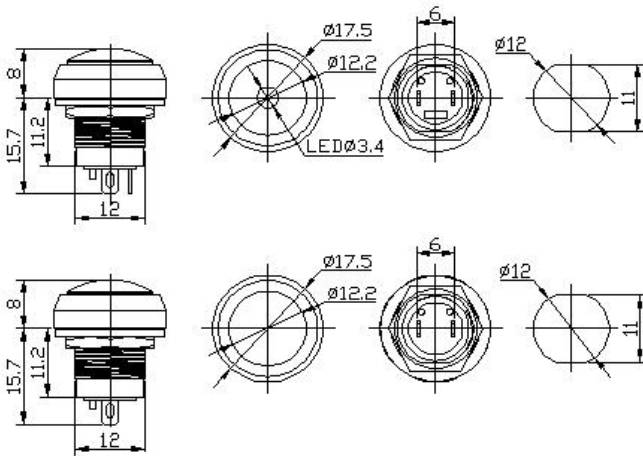
Rate: 2A 250V, 5A 125V

Material: PBT

Installation Mode: Telescopic mount

Certification: CE, ROHS

Water-proof Rank: IP67



Code

OM .

Outlook	function	lamp	button color
<input type="checkbox"/>	<input type="checkbox"/>	<input type="checkbox"/>	<input type="checkbox"/>
1 circular	1 self-lock	0 non	1 red
2 square	2 non-self-lock	1 red	2 black
		2 green	3 grey
		3 yellow	4 blue
		4 blue	5 orange
		5 white	6 yellow
			7 green
			8 white

YUEQING OMTER ELECTRONIC & TECHNOLOGY CO., LTD.

Address: 11D, Jiaotong Building, No.2 NingKang west Road,

Yueqing city, Zhejiang, China

TEL: +86-577-27811881

TEL: +86-577-62591283

FAX: +86-577-62591280

Http://www.omter-tyxn.com E-mail:omter@omter.com