

OM810 Dual-axis joystick



- Application to car controller
- The inductive non-contact angle examination, guaranteed that is more than 10,000,000 times.
- It can be matched within single-axis or 2-axis.
- Spring return auto.
- 2-axis can be any direction and + direction.

Installment Size:

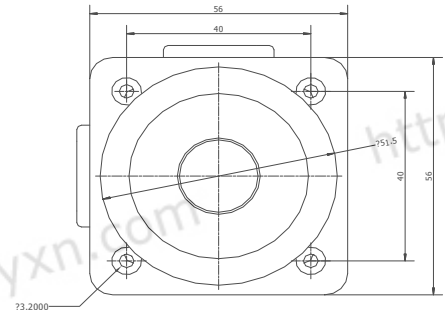
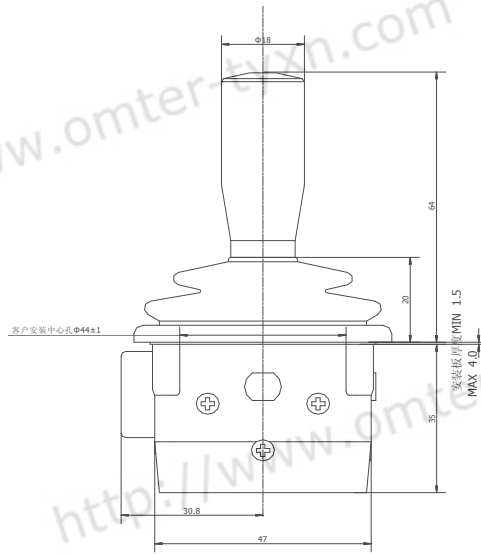
Wire Instruction:

Red: + 5 V D

Black: 0V

X-axis output: green

Y-axis output: blue



Parameters:

Electrical

total current: <10mA

power voltage DC 9.0V-36V

Mechanical

swing angle: 45°

life: more than 10, 000, 000 times

operation strength: 5-N (Max)

Max strength: 200N

weight: about 50g

Environment:

temperature: -20° -- +70°C

