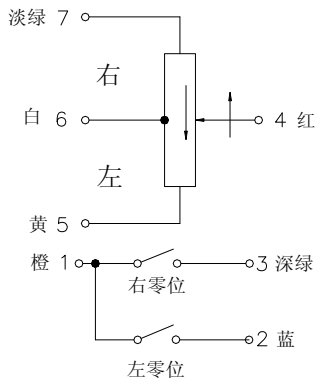


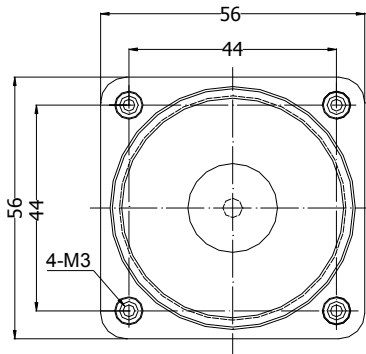
# OM1A-POT Single-axis Industrial Joystick



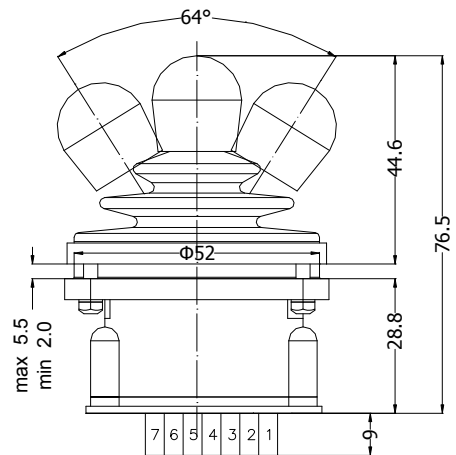
- Industrial joystick is suitable for industrial controller, fire engine controller, motor controller.
- Within direction-switch
- Conductive plastic potentiometer life more than 1,000,000 times.
- Installing with flexible rubber, and double sealed
- Protection rank: IP65
- Control direction within one axis.
- Long handle can be matched with H=45mm,  $\Phi=19$ mm



电路图



俯视图



## Handle Instruction:

\* Long handle

H=45mm

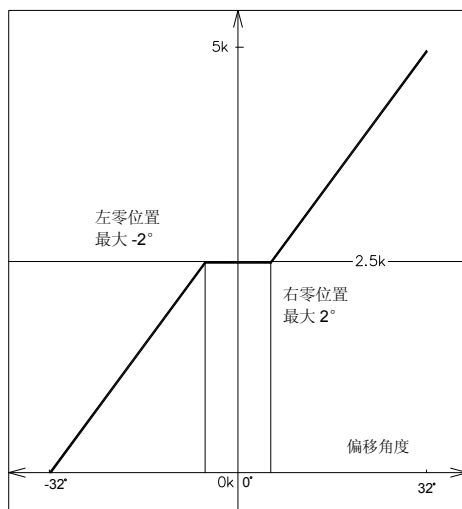
$\Phi=19$ mm

\*Big Board:

80mm\*80mm

\* wire-output:

L=100mm



## Parameters

### ELECTRICAL:

Resistance: 5K OHM

Error: 10%

Center angle:  $\pm 2^\circ$

Max rating: 0.2W

### MECHANICAL:

Swing angle:  $32^\circ$

Life: more than 1,000,000times

Operation strength: 15N (Max)

Max strength: 200N

Weight: 100g

### Direction Switch:

Contact resistance: 2K $\Omega$

Max rating : 0.2W

Push and pull with resistance 10-20K $\Omega$

### Environment::

Protection Rank: IP65

Temperature Rank:  $-20^\circ +70^\circ\text{C}$