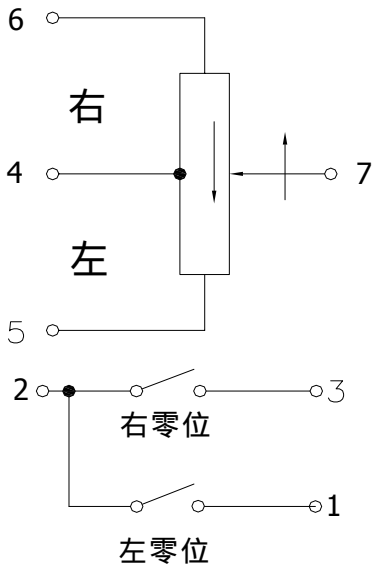


OM1-POT

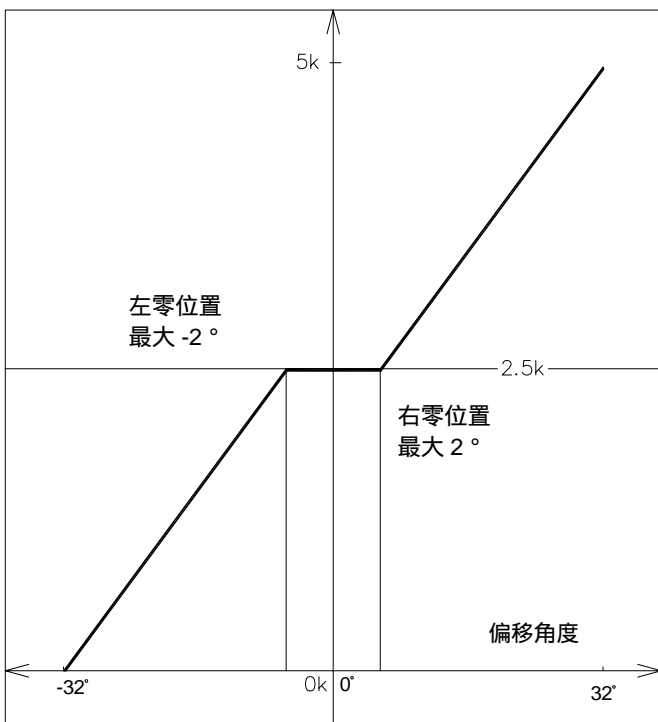
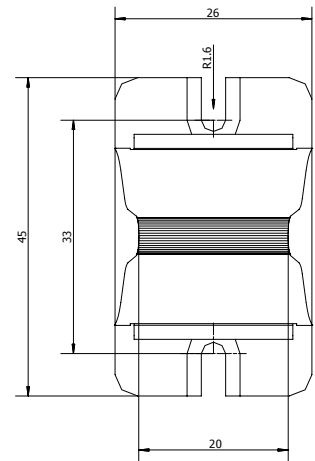
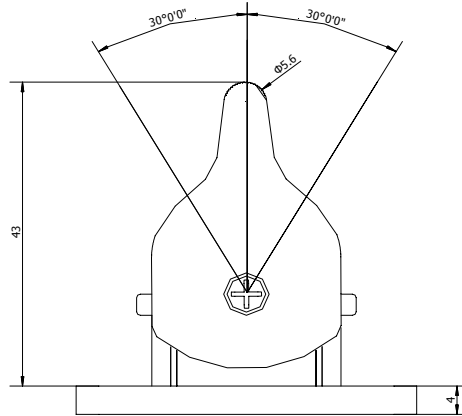
Single-axis joystick



- Applicable to proportion remote controller
- Within center-tap conductive plastic potentiometer, within front&back direction-switch
- Single-axis spring return



电路图



Parameter :

Electrical :

- Total resistance : 5KΩ
- Resistance error : 10%
- Center angle : ± 2 degree
- Max power rate : 0.2W

Mechanical :

- Swing angle : 30 degree
- Life : more than 1,000,000 times
- Operation strength : Max 15N
- Limited strength : 200N
- Weight : 100g

Inverted-direction switch :

- Contact resistance : 2KΩ
- Max power rate: 0.2W
- Resistance of push down and up: 10-20KΩ

Environment :

- Protect rank: IP65
- Temperature: -20o- +70