

# OM-1H Single-axis Inductive Joystick

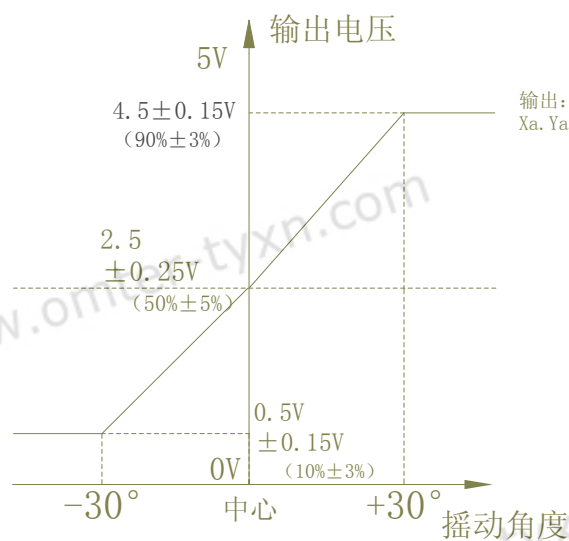
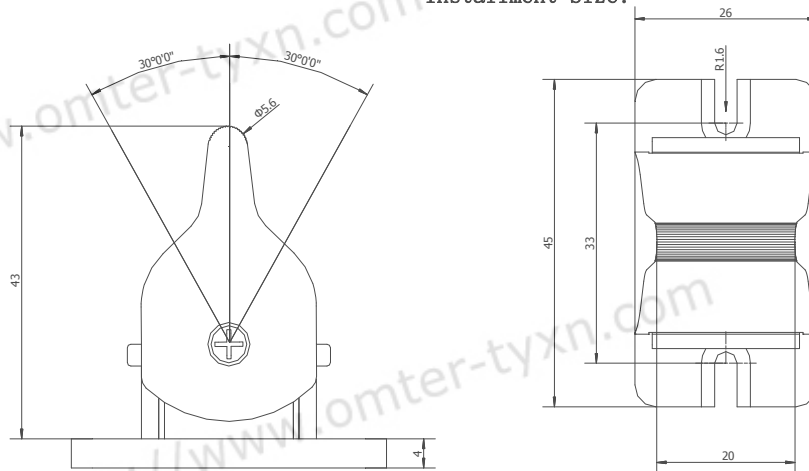


- Application to the proportion remote controller.
- The inductive non-contact angle examination, guaranteed that is bigger than 10,000,000 time service lives
- Single-axis within spring return
- The voltage is 0.5V-2.5V-4.5V or 0V-2.5V-5V DC.
- It can be made for special potentiometer with direction switch.

## Wire instruction:

Red : DC +5V  
 Black: 0V  
 Yellow: 0V  
 Blue: Output

## Installment Size:



## Parameters

### Electrical

total current: <10mA  
 linearity tolerance: ± 3%  
 power voltage DC 5. 0V ± 10%  
 Resistance: >10K Ω

### Mechanical

Swing angle: 30°  
 Life: more than 10, 000, 000times  
 Operation strength: 5-N (Max)  
 Max strength: 200N  
 Weight: 25g

### Environment:

Temperature: -20° +70°C