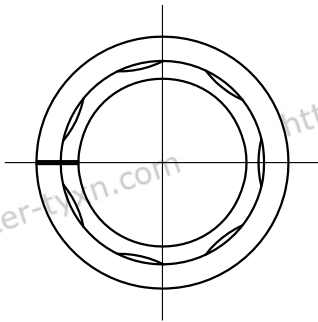


SEC.A-A



PARTNO.	D	H	h	Ø
5005-1	44.5	19.5	15.5	6.0
5005-2	33.0	16.0	13.0	6.0
5005-3	26.5	14.5	12.5	6.0
5005-4	22.5	11.5	9.5	6.0
5005-5	20.0	11.5	10.0	6.0