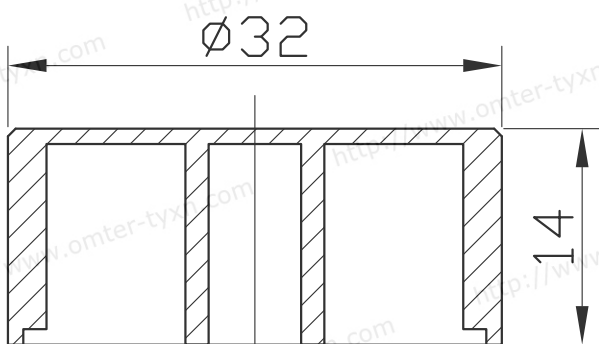
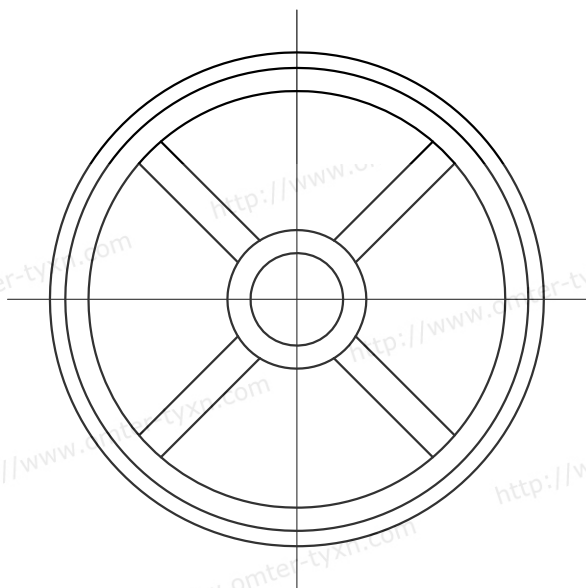


SECTION A-A



$\text{Ø}6 \times 18$  Sawteeth



